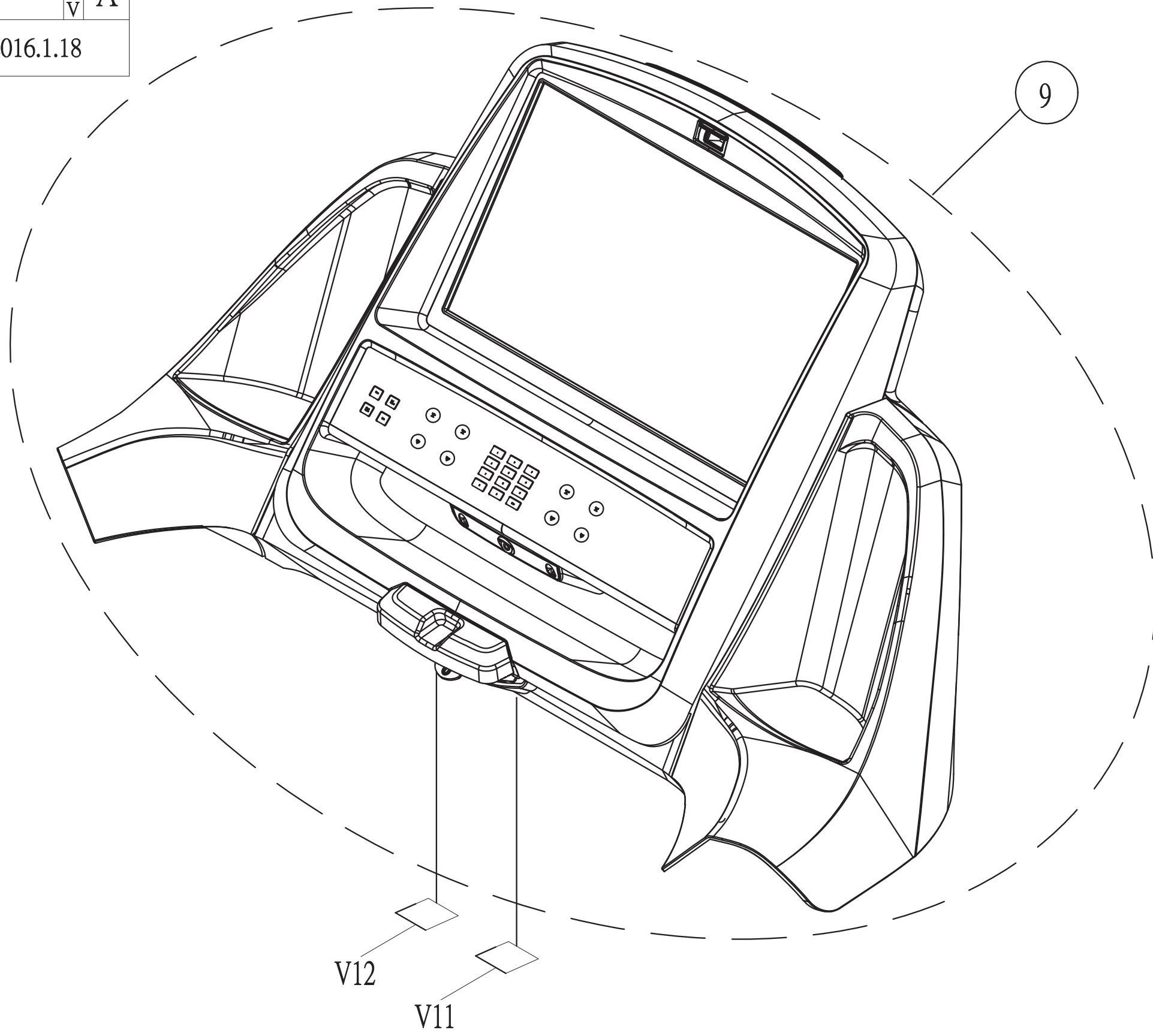
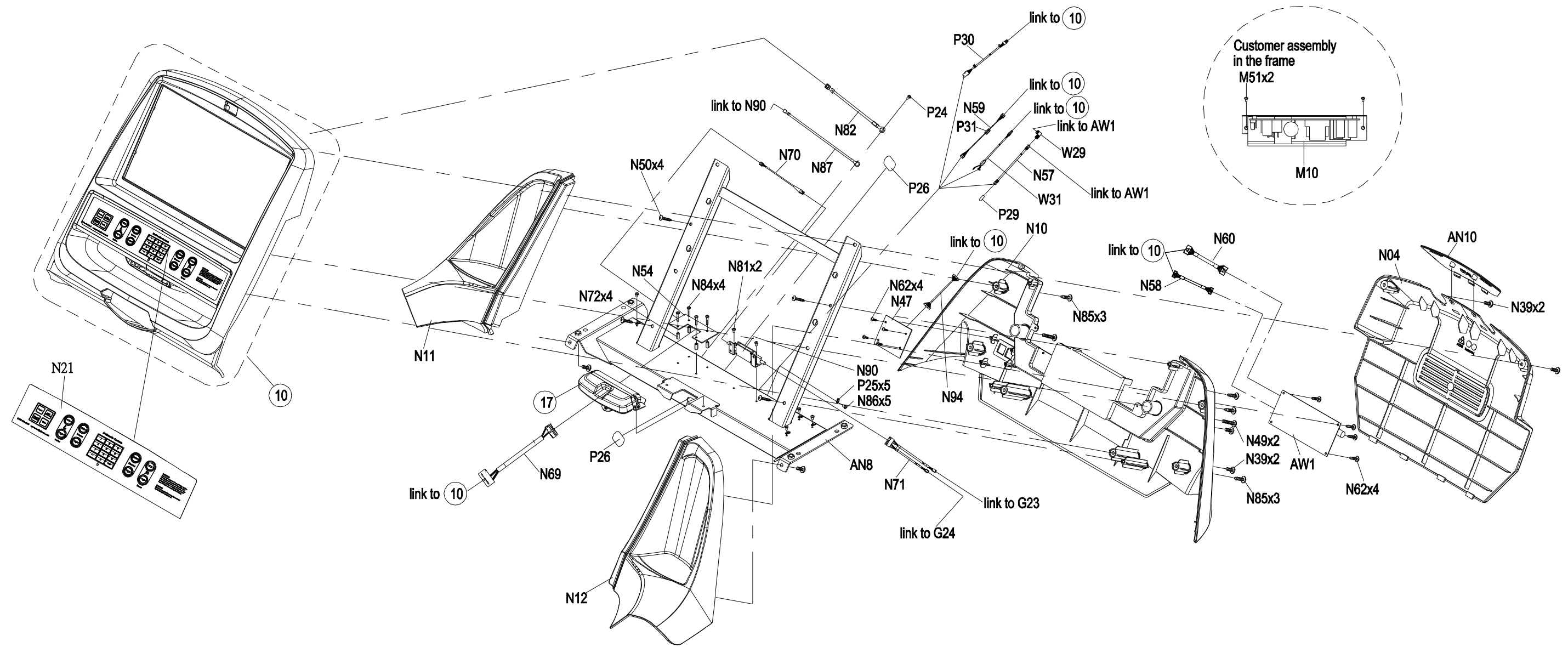


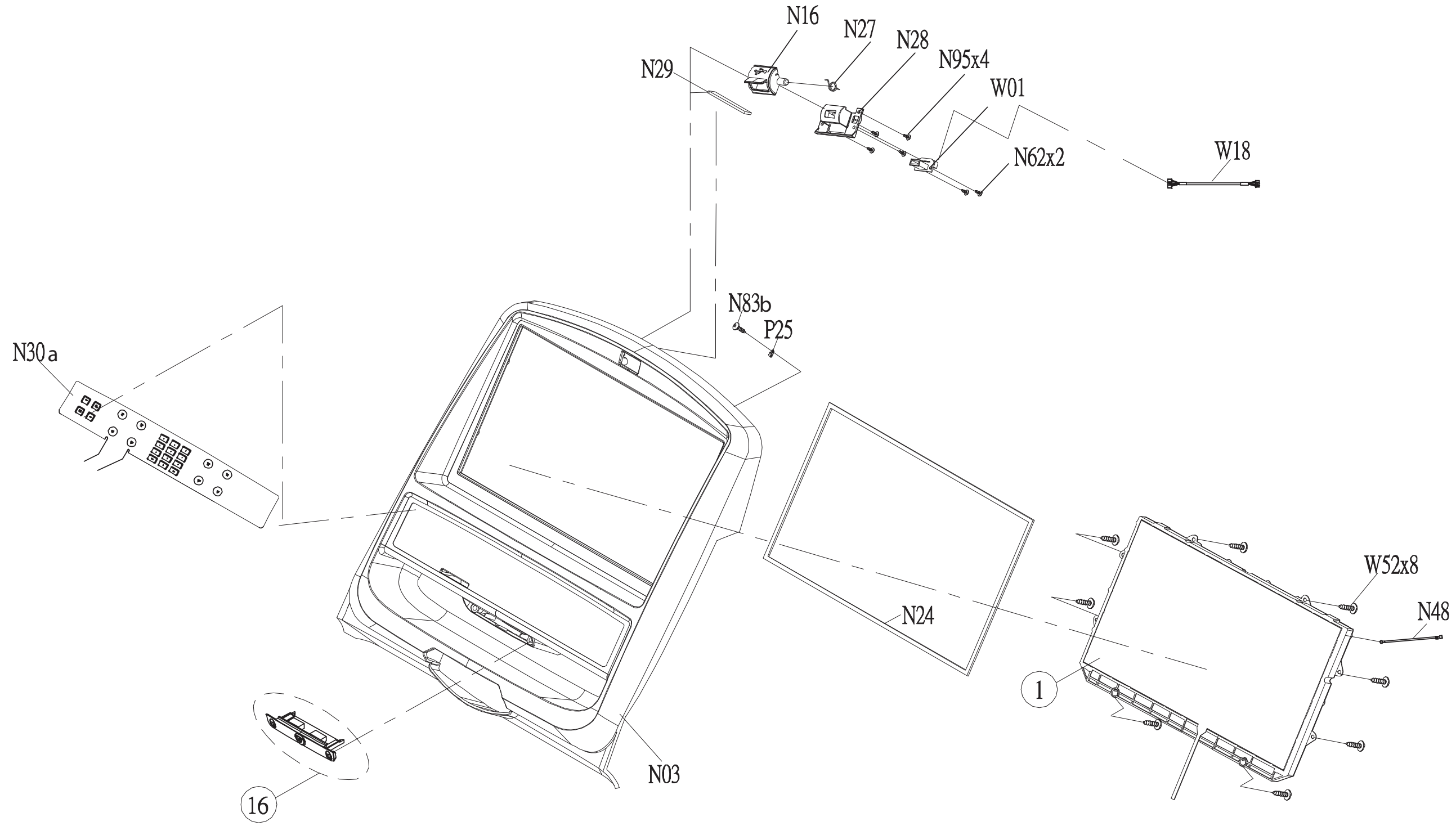
DRAWING NO	PTM709-1US-C		
PART NAME	Explosive Rendering		
PART NO	MTM0625-00	REV	A
APPROVE	Long yun bo	DATE	2016.1.18



DRAWING NO	TM709-AN6		
PART NAME	Console Set		
PART NO	1000373870	REV	A
APPROVE	LIUSHUO	DATE	2019.03.22

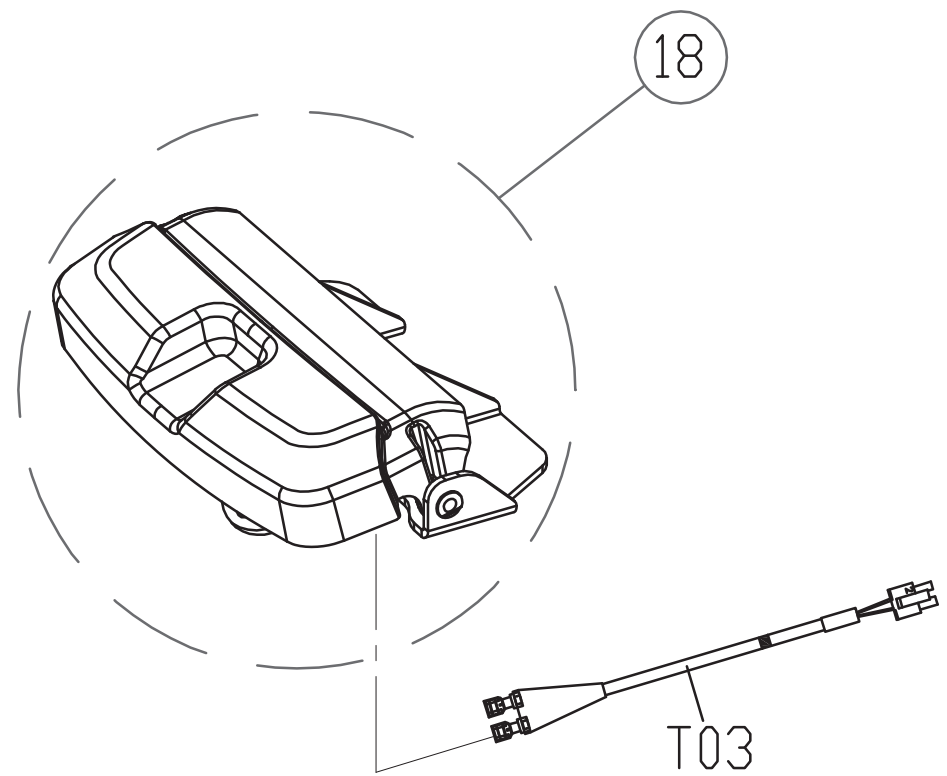


DRAWING NO	TM709-AN21		
PART NAME	Console Set		
PART NO		REV	A
APPROVE	Long yun bo	DATE	2016.1.25

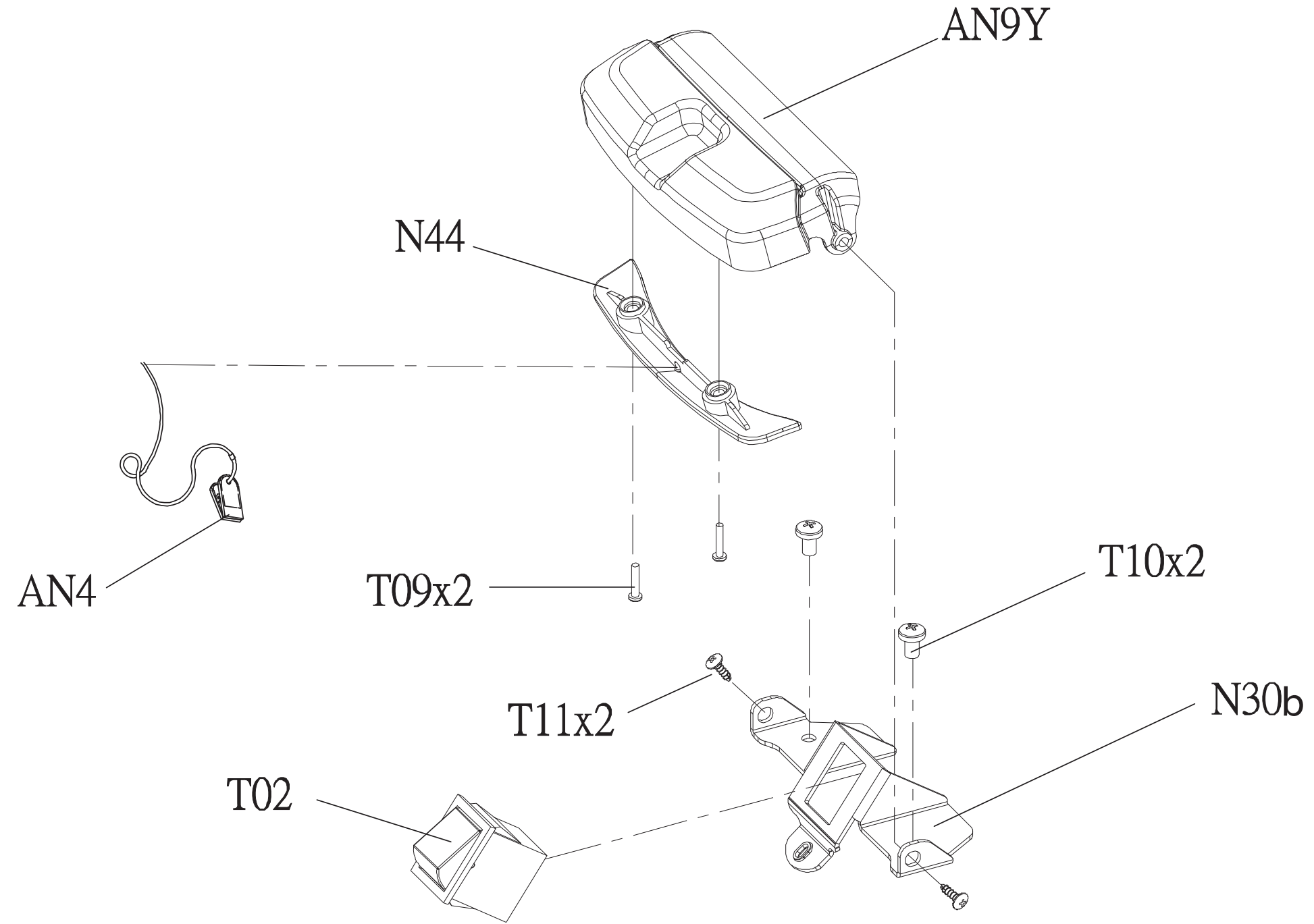


SAP NO.	Model Name
1000375456	儀表護蓋組;;上;;;TM709-1US-C;;
1000375480	儀表護蓋組;;上;;;TM709-2KM-C;;

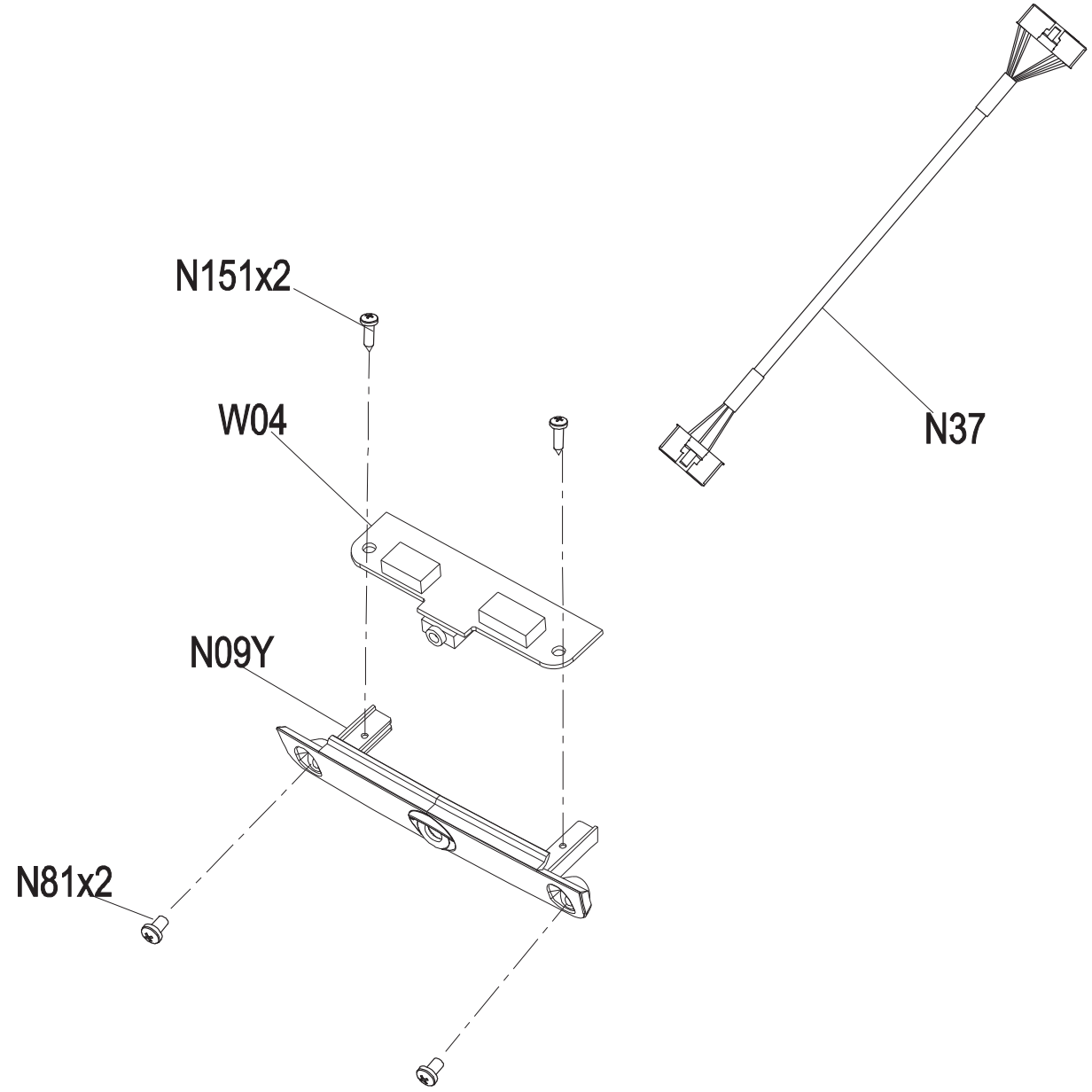
DRAWING NO	TM522-AT1		
PART NAME	Soft Switch Set		
PART NO	1000231006 ^R _E A		
APPROVE	Kyle	DATE	061112



DRAWING NO	TM522-AT11		
PART NAME	Switch Set; Emergency		
PART NO	1000300535	REV	C
APPROVE	Drgon Long	DATE	2016.2.22



DRAWING NO	TM524-AN8		
PART NAME	EARPHONE FIXING COVER SET		
PART NO	1000359612	REV	A
APPROVE	Long yong bo	DATE	2016.01.25



Bubble#	OEM Number	Description	Notes
		TFT Module 15.6 inch F G022 xir Black - D/C, NO REPL Part will show as orderable until stock is depleted - *Click here to open Refurb Parts List*	TFT module only. See service bulletin "TM709 TFT Module Available".
1	1000354904	List*	
16	1000359612	Earphone Cover Set T-1xe/3xe-04-C TM5	
17	1000231006	Safety Key Set T-1x-03-C	
18	1000231006	Safety Key Set T-1x-03-C	
AN10	0000086724	Cover Console Display TV Rack Printing T	
AN4	1000352475	Switch Clip Set Safety Red	
AW1	1000228357	TV Tuner Hybrid ATSC/NTSC/PAL-N	
M10	0000088231	Adaptor 97PS-024 TM501	NOT USED with 3xh consoles. (Only used with 1xe/3xe units.)
M51	004361-00	Screw Phillip BH M4x0.7Px10L Ni Gap	
N03	1000373873	Console Faceplate PC 510 Gray/80435 T	
N04	1000229245	Repair Cover Console - ABS/PA746 SL/GY/8	
N09Y	0000089506	TV Earphone Wire Cover ABS/PA746 80435	Order Kit 16
N10	1000231624	Console Cover,back,ABS 746,SL/GY,80547,T	
N11	1000231625	Console Cover,Kettle Rack,left,ABS 746,S	
N12	1000231626	Console Cover,Kettle Rack,right,ABS 746,	
N151	008864-A	Screw Special Round 2.9x1.06Px7L(Hi-Lo)	
N16	1000348670	cover-Extrawork USB Print EP619	
N21	1000229339	Documentation Overlay Manipulate Down En	
N27	1000348672	Torsional Spring SUS304 EP619	
N28	1000348673	Fixing Block USB ABS PA746 Gray/80435	
N29	1000303128	Foam - 48x5x3.0t Black - TM524	
N30a	1000231561	Key,TV,1,24Keys/PET/0.125T,T-1xe/3xe-04-	
N30b	0000085980	Fix Plate Emergency SPHC 1.6t BED TM501	Order Kit 17
N37	1000229115	Wire Ear Phone Board 150(TKP,H6630P1-04+	
N39	1000228688	SCREW BH M5X0.8PX12L PH BAN	

N44	0000086072	Cover Safety Key Down ABS/PA746 1797C TM501	
N47	1000228682	Control Board C-SAFE H001 NA TM519	
N48	1000232713	WIRE CONSOLE GND 150(KST,MDFNYD2-2	
N49	1000376066	Screw Round Head M5X0.8PX30L Phillip Ca	
N50	1000231688	SCREW BH ?p5x1.6Px35L(HI-LO) PH BZN	
N54	0000086912	Translator Board Console H002 T1x	
N57	1000229263	TV Signal 1700 (FM-0086-NBG7)x2	
N58	0000088957	Wire Tuner Signal 250(PAP-12V-Sx2) T1xe	
N59	1000229265	COMM Wire Digital 2100(MOLEX,50-70-9408x	Console Cable
N60	1000229303	Signal CONN 250mm (JST,PAP-06V-S)x2	
N62	008864-A	Screw Special Round 2.9x1.06Px7L(Hi-Lo)	
N69	1000229073	Wire Keypad 300(3M1DC 7920-B500x2) T-1x-	
N70	1000231005	WIRE H/P - - - 200(2510A-03 XAP-03) T-1X	
N71	1000229262	Grip Sensor 300+550mm (TKP,2510A-06+TKP,	
N72	0000084677	Plastic Pillar Round ID 3x14L 6.3L whit	
N81	0000088743	Screw TRH M3x.5Px6L MT PH CST ZNC F-T	
N82	0000091827	Filter Ground Wire 300L KST FDFNYD2-250	
N83b	004620-AC	SCREW BH Diam.4X12L SM PH ZN POT	
N84	0000082875	Screw BH M3X0.5PX20L PH BZN	
N85	1000231078	SCREW BH ?X5X1.6PX12L(HI-LO) PH BZN	
N86	0000089082	Screw Flange Tapped 3x6L	
N87	1000229267	Wire GND Pulse Board 150(KST,MDFNYD2-250	
N90	1000229074	Heart rate receiver,RF HR,Salutron 8600,	
N94	1000231012	C-SAFE+CARDIO Wire 300+200(TKP,H20J2-15	
N95	020005-00	Screw Phillip Round M3x6L Zn-BL	
Not Shown	1000308733	Insert Assembly Manual English T1xe/T3	
Not Shown	1000353430	Memory card set 16G TM526	Micro SD card for 10-pack VA
P24	004370-00	Screw Phillip BH M5x0.8Px10L Zn-BL	
P25	001682-00	Clip Tie Strap Hold Down HC-0L P	
P29	0000093219	Jacket PVC A5X-03-F US EP79	
P30	1000231025	WIRE SIGNAL CABLE SET 1900(TKP,H6630P1-	
P31	1000307041	Ferrite Choke Snap-Together FH36.0x13.0x	
T02	0000084630	Safety Switch R13-69 TM501	

T03	1000231004	WIRE CONNECT 400(250X2 6630R1) T-1x-03-C	
T09	004614-00	Screw BH 3X10L SM PH BAN POT	
T10	004376-00	Screw BH M5X0.8PX8L CT PH BZN	
T11	0000093244	Screw Phillip BH Tapped 4x8L Zn-BL	
V11	1000348652	Spec Label ETL T-3x TM523	
V12	1000359611	Decal FCC TM524C	
W01	1000213752	Control Board USB H001 U10CA1	
W04	0000094434	Ear Phone Board Set	Order Kit 16
W18	1000354185	USB Wire Black 24AWG 350mm JST,XAP-06	
W29	065247-A	TV Exchange Connector F HDR Into F HSG 9	
			Note: See the service bulletin TV Power Connections to confirm correct setup for this wire.
W31	1000229304	ADAPTOR - 20AWG 2100mm (TKP,H6657R1-04+J	
W52	004627-00	Screw Phillip BH Tapped 5x12L	
AN8	1000366730	Console Base Set Semi-Assy TM522-AN8	
AN9Y	1000345203	Safety Key Cover-Extrawork upper coverr	
N24	1000356808	Rubber Pad Water Proof TM699-1US	
		Panel Board Set With touch screen 15 -	
		<mark>REFURB PART AVAILABLE: *Click here to open Refurb Parts List*</mark>	Discontinued - TFT module only. See service bulletin "TM709 TFT Module Available".
1	1000365697	Console Cover Set up English TM709-1US - D/C, NO REPL Part will show as orderable until stock is depleted	Discontinued - See the service bulletin, "Console History/Replacement".
10	1000375456		
18	1000300535	Safety Key Set TM522	Discontinued
			Discontinued - See the service bulletin, "Console History/Replacement".
9	1000373870	Console set Semi-Assy ES TM709-1US-C	
AN4	1000231246	Safety Switch Set BL Rope TM501-1US TM50	Discontinued
AW1	1000232091	Tuner module set	Discontinued
P26	001597-A	GROMMET NYLON WHT	Discontinued
W04	0000094435	EAR PHONE BOARD JHT-U07AB5-H003 T5x-03	Discontinued - Order Kit 16